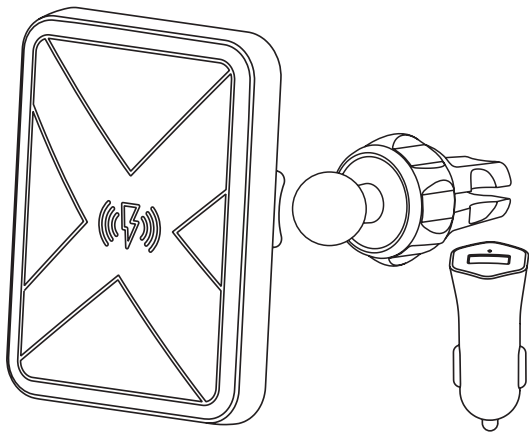


User Manual

XLayer **magfix** wireless charging - car bundle



Thank you for purchasing the XLayer **magfix** wireless charging magnetic mounts.

The **magfix** product line covers a wide range of different mounts, all of which can be combined as desired.

Installation options of the magfix plates



Case Inside

or



Case Backside

or



Device Backside

Please install the plate in the middle of the phone, charging would probably not be possible if the plates covered the wireless charging transmitter.

Please use the supplied installation manual for positioning if you intend to use the steel plate.

magfix – Wireless Charging Bundle

Contents:

1 magfix, 3 Metal plates, 1 Holder for air vent, 1 USB to Typ C cable,
1 Plate Installation Card, 1 Car Charger, 1 User Guide



Technical specifications:

Input: 5V/2.0A, 9V/1.8A

Wireless Output: 10W, 7.5W, 5W

Car Charger:

Input: 12V/24V

Output: 5V/3.0A, 9V/2.0A,

12V/1.5A

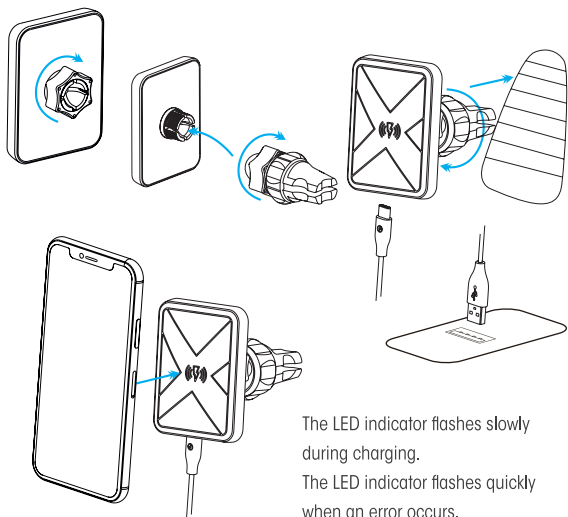
(1) Charging indicator

(2) Typ C power input

magfix – Smartphone charging

Installation:

- Assemble magfix and the holder
- Insert the holder into the vent of your car and fix it by adjusting the thread
- Connect the magfix wireless charger to the USB car charger or the integrated USB port with the supplied USB to Type C cable.
- Attach the metal plate to your phone
(Instructions can be found at the beginning of this manual)



The LED indicator flashes slowly during charging.

The LED indicator flashes quickly when an error occurs.



This electrical device does not belong in the garbage. For proper disposal, please contact the public collection in your community.

Please note: we don't accept liability for any damages on connected devices. Please check compatibility of our product with the manufacturer of your device before use.

XLayer GmbH herewith explains that the device XLayer **magfix Wireless Bundle** is in accordance with all relevant requirements and guidelines. The declaration of conformity can be requested under service@xlayer.de.