



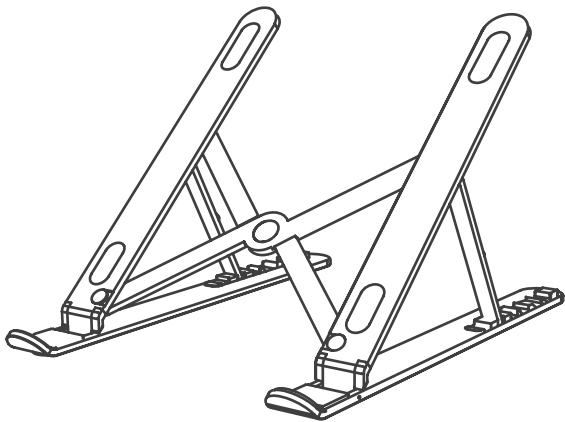






# User Guide

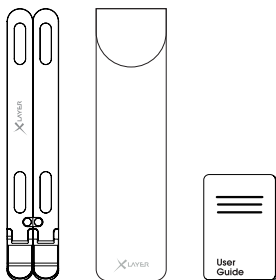
XLayer Foldable Stand Notebook/PC



Thank you for purchasing the XLayer Foldable Stand. Ergonomic work made easy: With the notebook stand you can work comfortably and back-friendly on your notebook. Thanks to seven adjustable viewing angles, you can adjust the position of the stand to your personal needs and always enjoy the best view of the display.

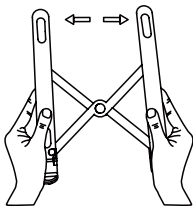
## Contents

1 Foldable Stand Notebook/PC, 1 Transport Bag, 1 User Manual

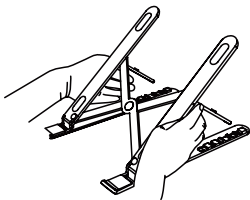


## Instructions

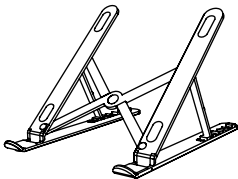
1. Open the holder



- Choose the angle you want to use the laptop with and place the stand brackets accordingly.



- The Foldable Stand is now ready for use.



- Place your device directly on the stand.





MacBook & iPad are trademarks of Apple Inc., registered in the U.S. and other countries.

Please note: we don't accept liability for any damages on used devices. Please check compatibility of our product with the manufacturer of your device before use.

XLayer GmbH herewith explains that the device **XLayer Foldable Stand** is in accordance with all relevant requirements and guidelines. The declaration of conformity can be requested under [service@xlayer.de](mailto:service@xlayer.de).